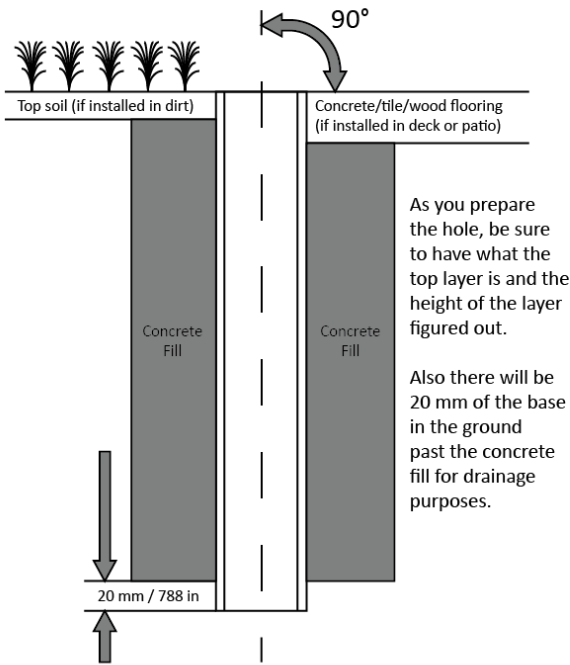


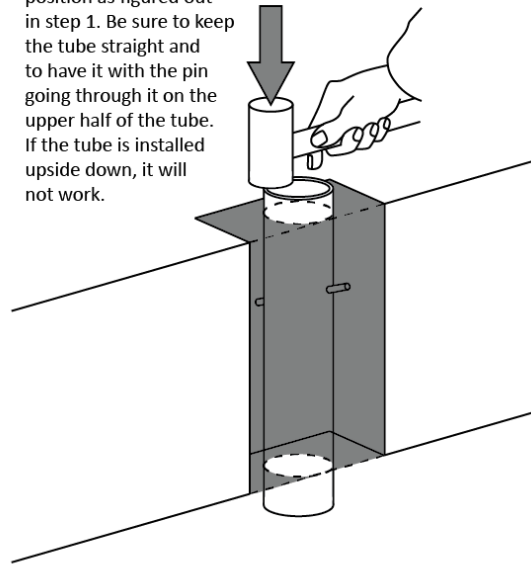
In Ground Base Installation Instructions

1 Prepare and Dig

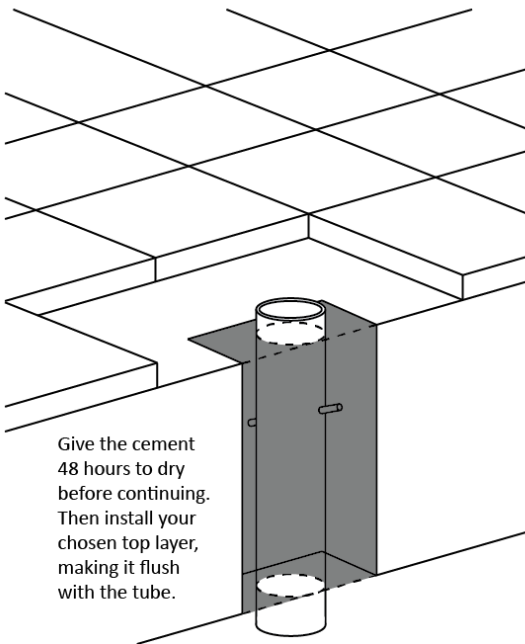


2 Installing the Bottom Tube

Tap the base into the ground to desired position as figured out in step 1. Be sure to keep the tube straight and to have it with the pin going through it on the upper half of the tube. If the tube is installed upside down, it will not work.



3 Install Top Flush Layer



4 Installing the Top Tube

